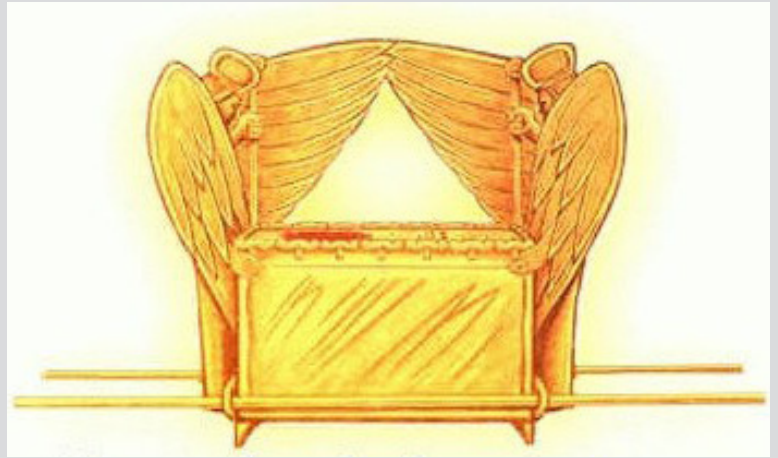


Ark of the Covenant



"And you shall make two cherubim of gold; of hammered work you shall make them at the two ends of the mercy seat. Make one cherub at one end, and the other cherub at the other end; you shall make the cherubim at the two ends of it of one piece with the mercy seat. And the cherubim shall stretch out their wings above, covering the mercy seat with their wings, and they shall face one another; the faces of the cherubim shall be toward the mercy seat. You shall put the mercy seat on top of the ark, and in the ark you shall put the Testimony that I will give you. And there I will meet with you, and I will speak with you from above the mercy seat, from between the two cherubim which are on the ark of the Testimony, about everything which I will give you in commandment to the children of Israel." Ex 25:21 -25

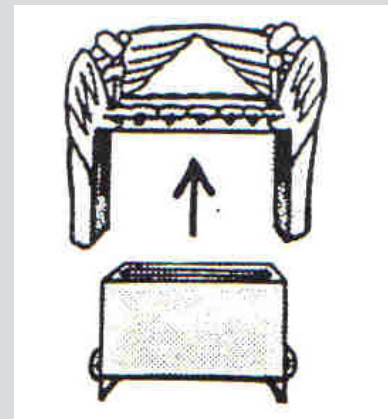
Dimensions

Most Holy Place - Ex 25:10-22 / 26: 16 - 30 -

3.75 x 2.25 feet

Angels were reflected on the walls of Gold

Inside : Deut 10: 1-5 - Ten Commandments written on Tablets of Stone - , Manna and Aaron's budded staff.
Later in Solomons' Temple the Torah (Scroll) was placed in the Ark.



4 rings of gold on four corners - 2 each side

Poles were made of acacia wood and covered in gold

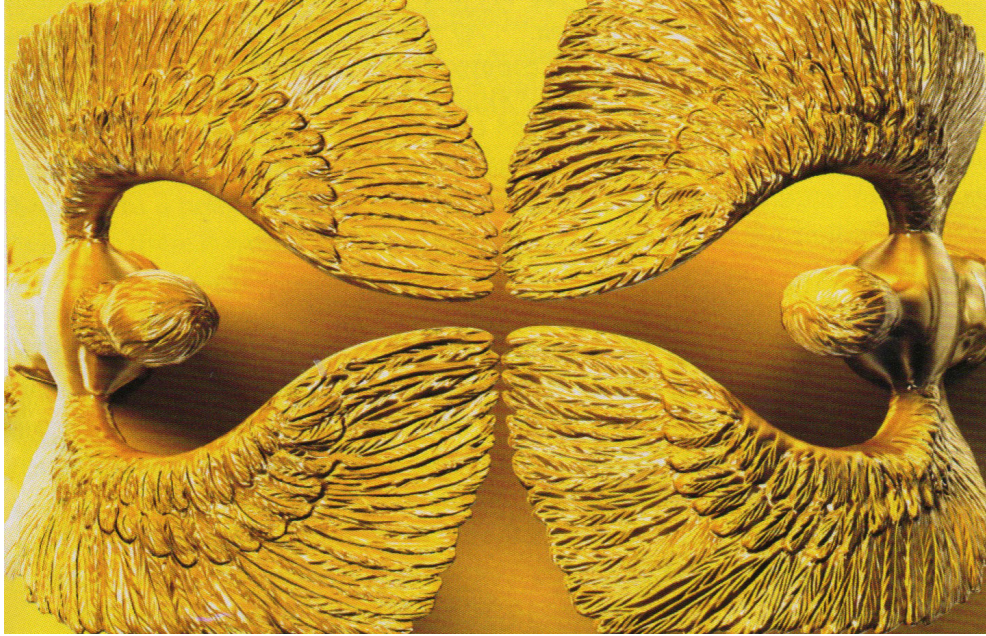
Where God will meet and speak with the priests Ex 25::22/ 29:42,43/ 30:6

CP

Knowing that you were not redeemed with corruptible things, like silver or gold for your aimless conduct received by tradition from your fathers but with the precious blood of Christ, as of a lamb without blemish and without spot. 1 Pet 1:18,19

JP

The Talmud teaches that the broken pieces of the first Tablets were placed in the Ark as well, placed beneath the second Tablets
Ex 25:16



"and the Lord said to Moses: "Tell Aaron your brother not to come at just any time into the Holy Place inside the veil, before the mercy seat which is on the ark, lest he die; for I will appear in the cloud above the mercy seat." Day of Atonement Lev 16:2



God spoke to Moses and the Priests from above the mercy seat between the two cheurubim about all of the commandments for the children of Israel. He also spoke to the priest at the Brazen Alter "For the generations to come this burnt offering is to be made regularly at the entrance to the tent of meeting, before the Lord. There I will meet you and speak to you; there also I will meet with the Israelites, and the place will be consecrated by my glory. Ex 29:42,43

**Hear,
O
Israel:
the
Lord
our
God,
the
Lord is
one!**

Deut 6:4

CP

Alpha and Omega - Jesus Beginning and End

The first Adam, originally created in the righteousness of God, by his sin stripped us naked. The last Adam, suffering the shame of nakedness, by his obedience clothes us in the righteousness of God.

Promise Keeper

God Fulfilled His Abrahamic Covenant - Joshua 21: 43

"So the Lord gave Israel all the land which He had sworn to give to their fathers, and they possessed it and lived in it. And the Lord gave them rest on every side, according to all that He had sworn to their fathers, and no one of all their enemies stood before them; the Lord gave all their enemies into their hand. Not one of the good promises which the Lord had made to the house of Israel failed; all came to pass."

Became our Atonement - Matt 26: 62-66

"Then the high priest stood up and said to Jesus, "Are you not going to answer? What is this testimony that these men are bringing against you?" But Jesus remained silent. The high priest said to him, "I charge you under oath by the living God: Tell us if you are the Messiah, the Son of God." "You have said so," Jesus replied. "But I say to all of you: From now on you will see the Son of Man sitting at the right hand of the Mighty One and coming on the clouds of heaven." Then the high priest tore his clothes and said, "He has spoken blasphemy! Why do we need any more witnesses? Look, now you have heard the blasphemy. What do you think?" "He is worthy of death," they answered."

Only One Worthy - Rev 5:2-7

And I saw a mighty angel proclaiming in a loud voice, "Who is worthy to break the seals and open the scroll?"³ But no one in heaven or on earth or under the earth could open the scroll or even look inside it. I wept and wept because no one was found who was worthy to open the scroll or look inside. Then one of the elders said to me, "Do not weep! See, the Lion of the tribe of Judah, the Root of David, has triumphed. He is able to open the scroll and its seven seals."

Then I saw a Lamb, looking as if it had been slain, standing at the center of the throne, encircled by the four living creatures and the elders. The Lamb had seven horns and seven eyes, which are the seven spirits[a] of God sent out into all the earth. He went and took the scroll from the right hand of him who sat on the throne.

PROPHECY

Rev 1:17,18 "And when I saw Him, I fell at His feet as dead. But He laid His right hand on me, saying to me, "Do not be afraid; I am the First and the Last. I am He who lives, and was dead, and behold, I am alive forevermore. Amen. And I have the keys of Hades and of Death."

Revelations

CP

Final judgement is related to our relationship with God Jer. 31:34 - Did you KNOW God - Second Coming

Elements of Tabernacle in Heaven

The Tabernacle was a shadow of things to come (Messiah) and of heaven. It is no wonder that we read about the altar of incense, manna, golden lamp stands, priestly garments and the ark of the covenant in Revelations.

Manna - Rev 2:17 - Manna will be given to all who persevere to the end and you will get a new name that will be written on a stone.

Priestly Robe - not sprinkled but dipped in blood - Rev 7:14 "..... "These are the ones who come out of the great tribulation, and washed their robes and made them white in the blood of the Lamb." Rev 15:6

Alter of Incense - Rev 8:4-5 " And the smoke of the incense, with the prayers of the saints, ascended before God from the angel's hand. Then the angel took the censer, filled it with fire from the altar, and threw it to the earth. And there were noises, thunderings, lightnings, and an earthquake."

Ark of the Covenant - Rev 11: 19- Then the temple of God was opened in heaven, and the ark of His covenant was seen in His temple. And there were lightnings, noises, thunderings, an earthquake, and great hail. Rev 15:5

Golden Lamp stands Rev 1: 12,13 "...I saw seven golden lamp stands...."

Bowls - Rev 16:1 " Go and pour out the bowls of the wrath of God on the earth"

JP

Current Jewish Goals

Build The Third Temple

Jewish leaders in the Temple Movement believe the Jewish people are not living on the spiritual level God intended because of the absence of the Shechinah (Divine Presence) Rabbi Chaim Richman, Director of the Temple Institute, which has produced all the ritual vessels necessary for the function of the Temple and works to train priests for this future work, says there is a connection between the need for a new level of spiritual attainment and the rebuilding of the Temple: "The Shekinah is brought about only through the Temple....In terms of our mission as a people, we cannot in any way reach our spiritual status without the Temple." For Orthodox Jews committed to reestablishing the Temple, both the present problems of the world and the problems faced by the Jewish people will be solved only by rebuilding.

It is Orthodox Jews who revived the Sanhedrin, the religious body that supervised the halachic (legal) issues related to the Temple and who intend to see it rebuilt in a proper way.

Signs of Our Times

Jacob's Sheep Returning
Red Heifer born
Synagogue - underground
Ark Found?

All of the plagues poured out on the Egyptians (promoting Israel's deliverance) are prophetically pointing to Jesus' second coming bringing full judgement and complete victory over death.

CP

Third Temple

“Return to the Eminence of their Forefathers”

Majesty of the first Matriarch returned with the arrival of the second Matriarch.

A spiritual cloud rested on Sarah's tent, a blessing in the dough and her lamp was continually lit. Sarah was the embodiment of the first Tabernacle. When Isaac brought Rebecca to Sarah's tent the spiritual cloud returned. The implication is that the holiness of Sarah's life was like that of the Temple itself, and that [Rebecca] echoed her in every way. So they believe when the third Temple is build it will be restored to it's former glory.

The Gospel Must Be Preached to All Nations

“You must be on your guard. You will be handed over to the local councils and flogged in the synagogues. On account of me you will stand before governors and kings as witnesses to them. And the gospel must first be preached to all nations.” Mk. 13: 9,10

Jacob's Sheep brought to Israel - Sept 2017

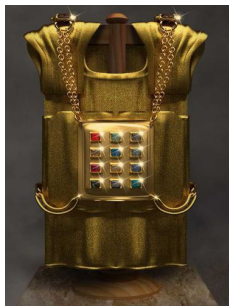
The sounds of shofarot (ram horns) from Jacob's Sheep were heard in Israel. Isaiah 27:13 “And in that day a great trumpet will sound. Those who were perishing in Assyria and those who were exiled in Egypt will come and worship the Lord on the holy mountain in Jerusalem.” Isaiah 49:12 “Look! These are coming from afar, These from the north and the west, And these from the land of Sinim.” They are calling people to return to their promised land.

Synagogue within the Western Wall tunnels - Dec 2017

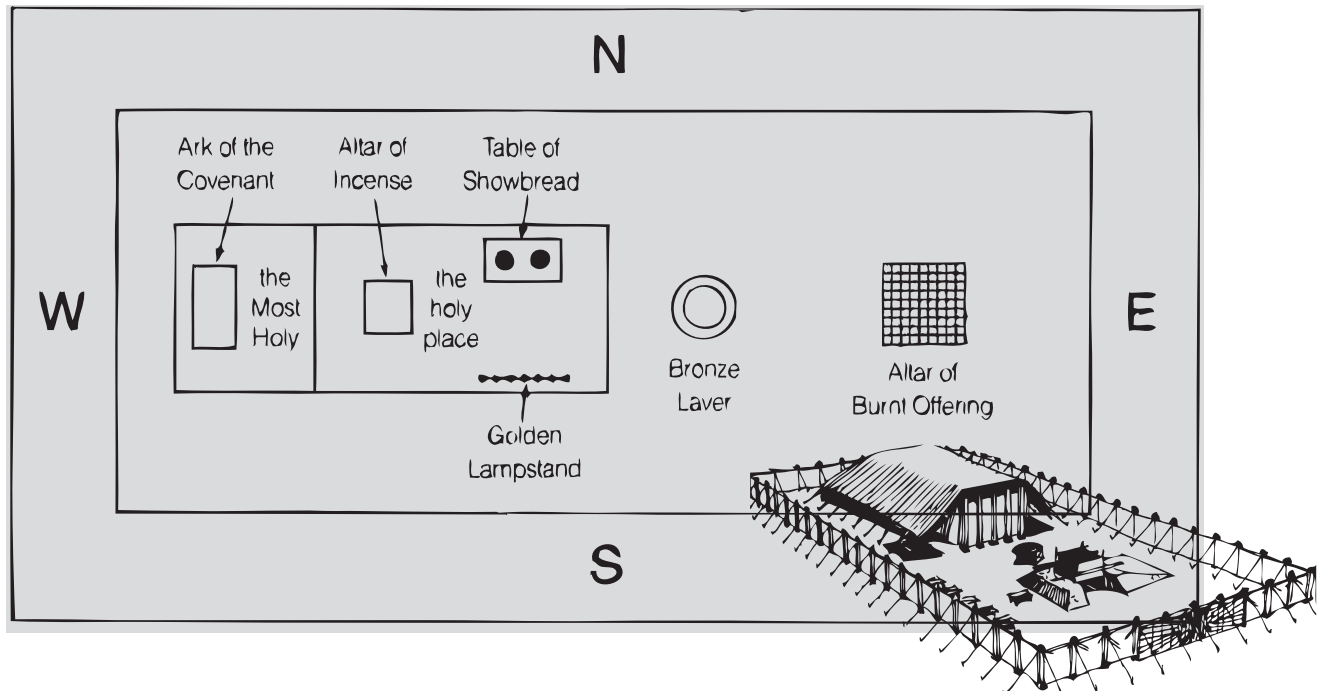
The complex took 12 years to build and is open for services. The synagogue is deep inside the complex, adjacent to the area above which the ancient Jewish temples stood on the Temple Mount, and the inner sanctum of the Holy of Holies in particular.

Red Heifer Born - Sept 2018

Temple Institute's Red Heifer program was blessed with results; an entirely red female calf was born, paving the way for re-establishing the Temple service and marking the final stage of redemption. Temple Institute imported frozen embryos of red Angus, implanting them in Israeli domestic cows. Num. 19:2



**"But you are a chosen race, a royal priesthood, a holy nation, a people for God's own possession, so that you may proclaim the excellencies of Him who has called you out of darkness into His marvelous light."
1 Peter 2:9**



Discussion

1. King David wouldn't do anything until he consulted with the sons of Issachar.

1 Chronicles 12:32

What do you think this meant?

What gift today is similar to what the tribe of Issachar was gifted in?

1 Cor 14:1-5

1 Cor 12: 28

How does that gift used today?



2. Why do you think it is important to know the signs of the times? Genesis 1 : 14, Matt 16 : 1-4/ 24, Luke 21 : 5-37, Mark 13, Eph. 5:17

Mk. 13:9 "You must be on your guard." What does that look like today?

Mk. 13:10 "And the gospel must first be preached to all nations." Is His return dependant on us?

3. Seek the Lord for a specific word for you this year.

Everything coincides with His calendar. What is He doing now? We aren't living off of old and stale bread but we have fresh oil in our lamp stand and are watching and praying.

Tabernacle

Dwell Among You | Resting Place | Mishkan

*LET THEM MAKE ME A SANCTUARY,
THAT I MAY DWELL AMONG THEM.*

EXODUS 25:8 | HEBREWS 8:1,2, 10:1



“At that time people will see the Son of Man coming in clouds with great power and glory. And he will send his angels and gather his elect from the four winds, from the ends of the earth to the ends of the heavens.” Mark 13: 26,27

References

1. Video Links ;

Mt Sinai <https://youtu.be/YKRHCH9mvLA>

<https://youtu.be/m26HGd0GeeM>

Ark Found? <https://www.youtube.com/watch?v=B8TRoQk6WUE&t=26s>
<https://youtu.be/7UyqxzuSMCo>



<https://www.myjewishlearning.com/article/levites/>

<https://www.biblestudytools.com/dictionary/porter/>

<https://waynestiles.com/the-tabernacle-at-shiloh-a-promise-person-place-parable/>

<https://www.biblestudy.org/maps/division-of-promised-land-to-twelve-tribes-israel-large-map.html>

<https://www.jewbelong.com/lifecycle/death>

<https://mjaa.org/jewish-holidays-2019-2020>

<https://theisraelofgod.com/wp-content/uploads/2015/07/6-27-15-400YrsOfCaptivity-BW.pdf>

<https://www.quora.com/What-is-the-basic-concept-of-Jewish-religion>

<https://glenkirk.blogspot.com/2013/04/bible-devotion-what-is-ephod-exodus-392.html>

<https://www.chabadnj.org/page.asp?pageID={D281FE0A-DFB1-4F8B-A861-952077BC8FDC}&displayAll=1>

<http://www.redeemerofisrael.org/search/label/High%20Priest>

<https://youtu.be/lv5nGRDSVfs>

<https://youtu.be/szq2vVIW56k>

<https://youtu.be/mznSvWsv0Xc>

<https://youtu.be/szq2vVIW56k>

<https://www.crosswalk.com/faith/10-things-every-christian-should-know-about-the-cross.html>

<https://www.gotquestions.org/Day-Atonement-Yom-Kippur.html>

<https://www.jewishvirtuallibrary.org/day-of-atonement>

<https://www.jewishvoice.org/read/article/update-building-third-temple>

<https://www.simplybible.com/f135-1days-the-torn-curtain.htm>

<https://cbumgardner.wordpress.com/2010/04/06/the-thickness-of-the-temple-veil/>

<http://www.throneofgod.com/ArkofCov/arkcov.html>

<https://www.livescience.com/64932-the-ark-of-the-covenant.html>

<http://www.jewfaq.org/calendar.htm>

[learnreligions.com/feast-of-pentecost-700186](http://www.learnreligions.com/feast-of-pentecost-700186)

https://youtu.be/G_OIRWGLdnw - explaining sacrifices - cartoon

<http://www.redeemerofisrael.org/2014/01/sacrifices-and-offerings-of-law-of-moses.html>

<https://www.breakingisraelnews.com/94197/unique-sound-jacobs-sheep-shofarot-sounds-call-messiah-photos/jacobs-sheep-photo>

<https://israel-commentary.org/tag/the-ram-that-gave-up-the-horn-cant-imagine-who-dared-take-it-away-from-him/Ram-photo>

Books;

The Mishkan The Tabernacle Its Structure and It's Sacred Vessels by Rabbi Avrohom Biderman / Copyright 2011,2014 by Mesorah Publications

The Tabernacle of God in the Wilderness of Sinai by Paul F. Kiene/ copyright 1977 Zondervan Corporation